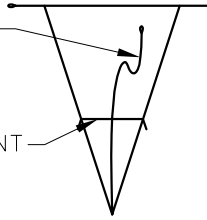


2 EACH  
DUMP STRAPS

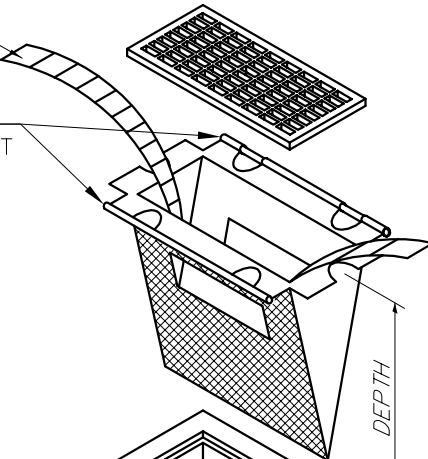
EXPANSION RESTRAINT  
(1/4" NYLON ROPE  
2" FLAT WASHERS)



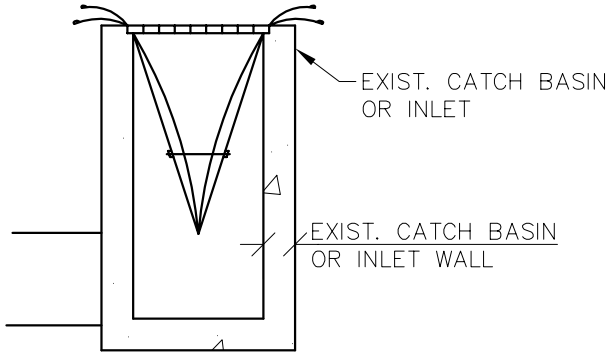
**BAG DETAIL**

DUMP STRAP

1" REBAR FOR BAG  
REMOVAL FROM INLET



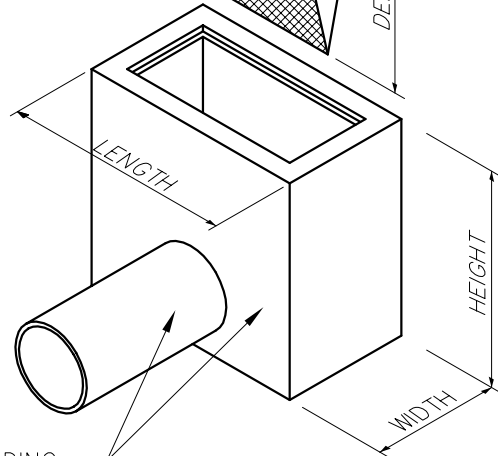
DEPTH



EXIST. CATCH BASIN  
OR INLET

EXIST. CATCH BASIN  
OR INLET WALL

INSTALLATION DETAIL



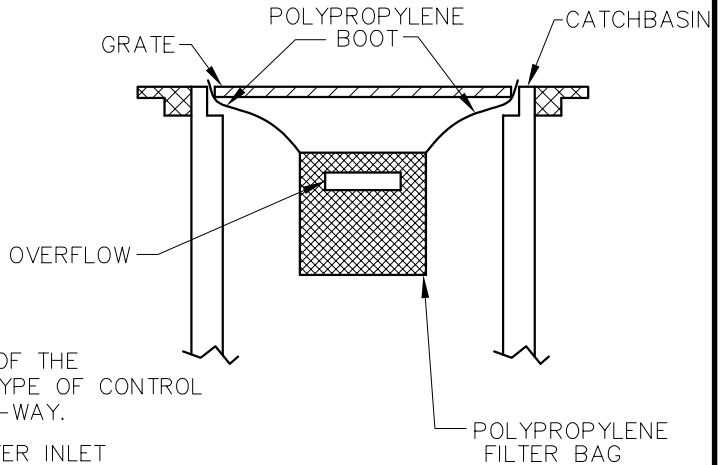
SIZES VARY DEPENDING  
UPON DESIGN

NOTE

TEMPORARY INLET SEDIMENT FILTER TO BE INSTALLED ON ALL PAVED CATCH BASINS OR STORM INLETS. INLET FILTER TO BE SIMILAR TO "STREAMGUARD" AS MANUFACTURED BY STORMWATER SERVICES CORPORATION OR "SILTSACK" AS MANUFACTURED BY ATLANTIC CONSTRUCTION FABRICS, INC.. CLEAN FILTER AS NEEDED.

GENERAL NOTES

1. CONTRACTOR SHALL OBTAIN PERMISSION OF THE ENFORCING ROAD AGENCY BEFORE THIS TYPE OF CONTROL IS CONSTRUCTED IN THE ROAD RIGHT-OF-WAY.
2. CONTRACTOR SHALL KEEP CURBS & GUTTER INLET FILTERS (AFTER PAVING) IN PLACE UNTIL ALL AREAS CONTRIBUTING TO THEM ARE STABILIZED WITH VEGETATION.
3. CONTRACTOR SHALL PERFORM WEEKLY INSPECTION AND MAINTENANCE TO ENSURE THAT THE CURB & GUTTER INLET FILTER (AFTER PAVING) OPERATES EFFICIENTLY.



C					
B					
A					
	DESCRIPTION	DRW	CKD	APP	DATE
REVISIONS					
DRAWN BY: S.D.A.					
CHECKED BY: S.D.A.					
APPROVED:					

**TEMPORARY INLET  
SEDIMENT FILTER**

SCALE: NONE

CITY OF DETROIT  
WATER AND SEWERAGE  
DEPARTMENT  
ENGINEERING  
DIVISION

SHEET 1 OF 1

DWG No. 01014-05