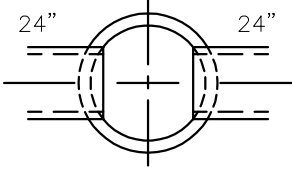
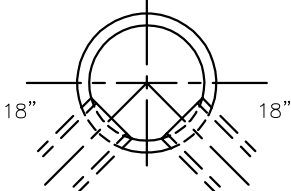
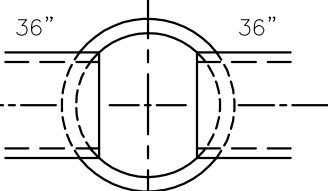
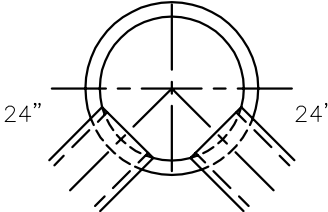
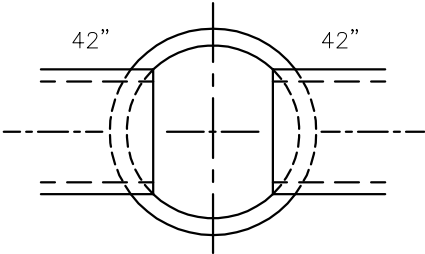
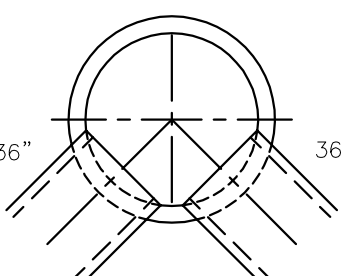
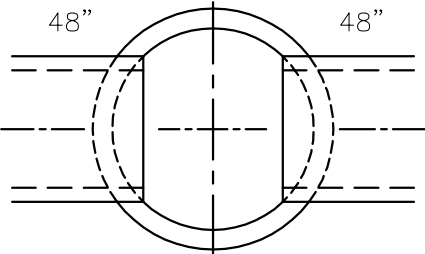
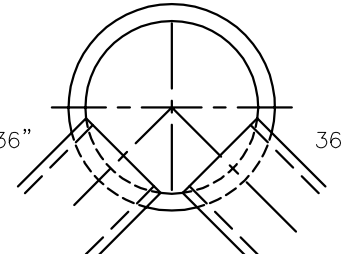
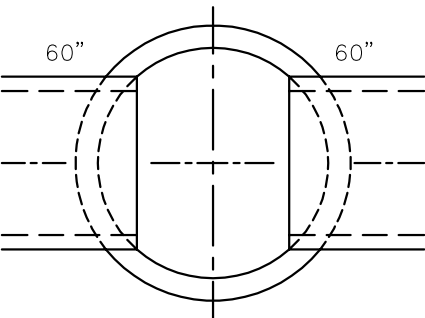
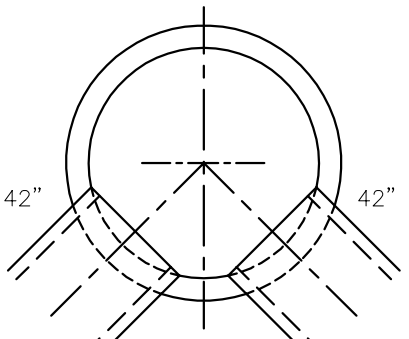


WITHOUT BOOTS

DIAMETER INSIDE	MAXIMUM PIPE SIZE FOR STRAIGHT THRU INSTALLATION	MAXIMUM PIPE SIZE FOR RIGHT ANGLE INSTALLATION	GENERAL INFORMATION
48"			ALL DIMENSIONS ARE FOR CONCRETE PIPE
60"			ALL MANHOLES CONFORM TO ASTM C-478
72"			6" MINIMUM SPACING BETWEEN OPENINGS
84"			REFER TO MANHOLE, SIZING CHART WITH FOR-N-SEAL CONNECTORS FOR DIAMETER OF MANHOLE REQUIRES WHEN USING BOOTS
96"			

C					
B					
A					
	DESCRIPTION	DRW	CKD	APP	DATE
REVISIONS					
DRAWN BY: S.D.A.					
CHECKED BY: S.D.A.					
APPROVED:					

**MANHOLE,
SIZING CHART**

SCALE: NONE

CITY OF DETROIT
**WATER AND SEWERAGE
 DEPARTMENT**
 ENGINEERING
 DIVISION

SHEET 1 OF 1

DWG No. 02600-03