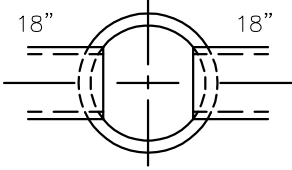
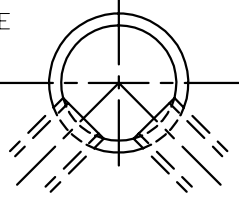
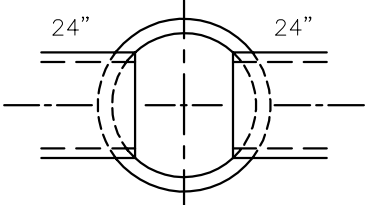
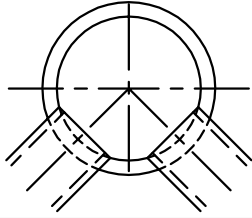
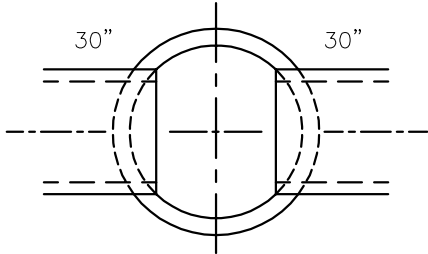
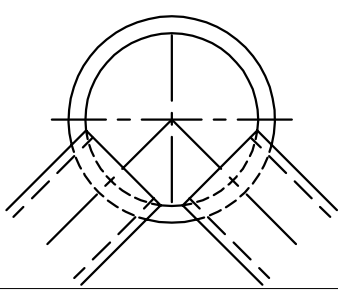
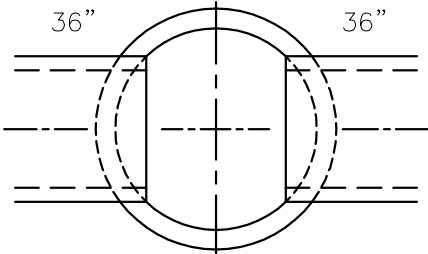
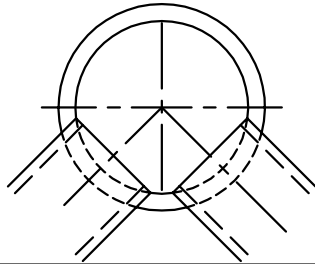
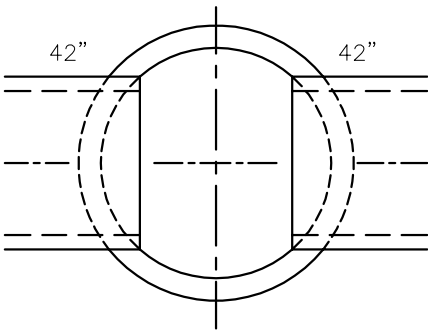
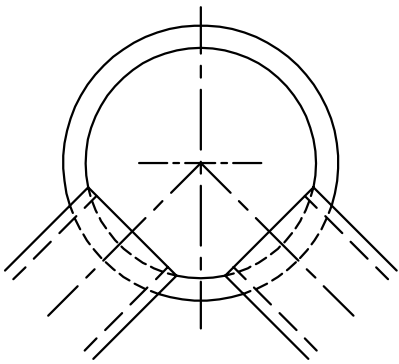


BOOTS (KOR-N-SEAL)

DIAMETER INSIDE	MAXIMUM PIPE SIZE FOR STRAIGHT THRU INSTALLATION	MAXIMUM PIPE SIZE FOR RIGHT ANGLE INSTALLATION	GENERAL INFORMATION
48"		<p>EVALUATE ON A CASE BY CASE BASIS</p> 	ALL DIMENSIONS ARE FOR CONCRETE PIPE
60"			ALL MANHOLES CONFORM TO ASTM C-478
72"			6" MINIMUM SPACING BETWEEN OPENINGS
84"			REFER TO MANHOLE, SIZING CHART WITH FOR-N-SEAL CONNECTORS FOR DIAMETER OF MANHOLE REQUIRES WHEN USING BOOTS
96"			

C					
B					
A					
	DESCRIPTION	DRW	CKD	APP	DATE
REVISIONS					
DRAWN BY: S.D.A.					
CHECKED BY: S.D.A.					
APPROVED:					

**MANHOLE
SIZING CHART
WITH KOR-N-SEAL
CONNECTORS**

SCALE: NONE

CITY OF DETROIT
WATER AND SEWERAGE
DEPARTMENT
ENGINEERING
DIVISION

SHEET 1 OF 1

DWG No. 02600-06