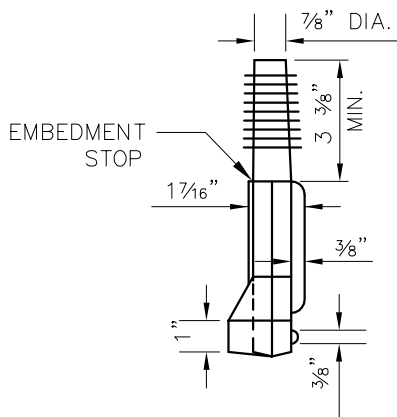
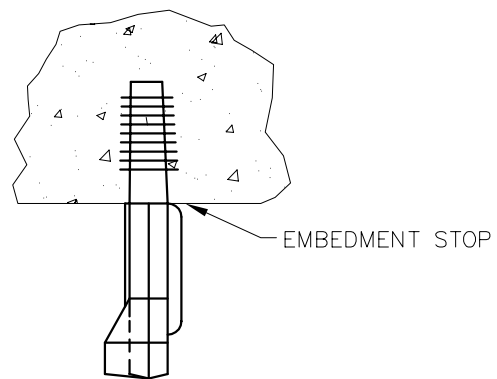


**PLAN VIEW**



**SIDE VIEW**



**SIDE VIEW**

C					
B					
A					
	DESCRIPTION	DRW	CKD	APP	DATE
REVISIONS					
DRAWN BY: S.D.A.					
CHECKED BY: S.D.A.					
APPROVED:					

**MANHOLE, STEP  
FOR COPOLYMER  
POLYPROPYLENE  
PLASTIC**

SCALE: NONE

CITY OF DETROIT  
WATER AND SEWERAGE  
DEPARTMENT  
ENGINEERING  
DIVISION

SHEET 1 OF 2

DWG No. 02600-08