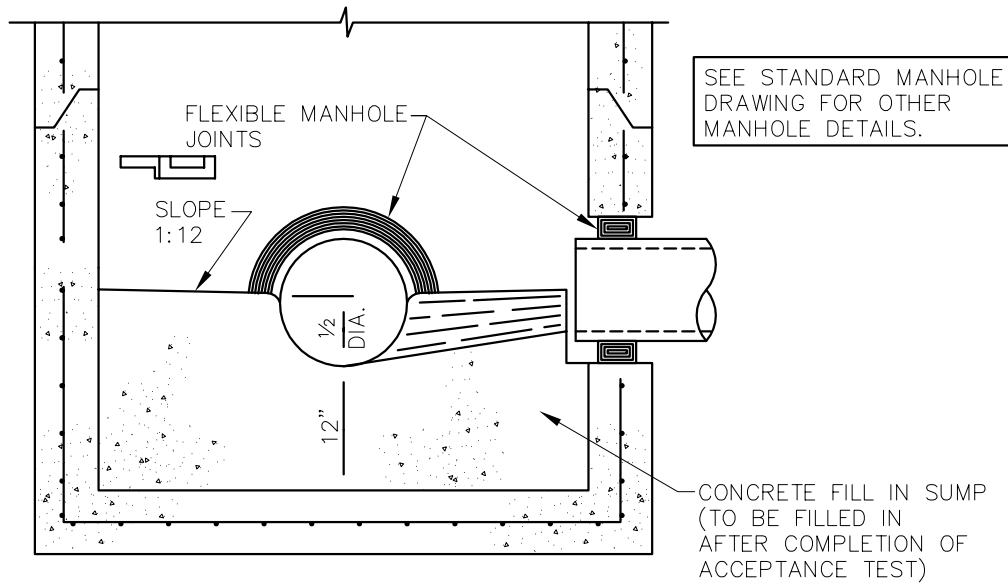


PLAN VIEW



SECTION A-A

C					
B					
A					
	DESCRIPTION	DRW	CKD	APP	DATE
REVISIONS					
DRAWN BY: S.D.A.					
CHECKED BY: S.D.A.					
APPROVED:					

**MANHOLE, SUMP
WITH FLEXIBLE
JOINT**

SCALE: NONE

CITY OF DETROIT
WATER AND SEWERAGE
DEPARTMENT
ENGINEERING
DIVISION

SHEET 1 OF 1

DWG No. 02600-12