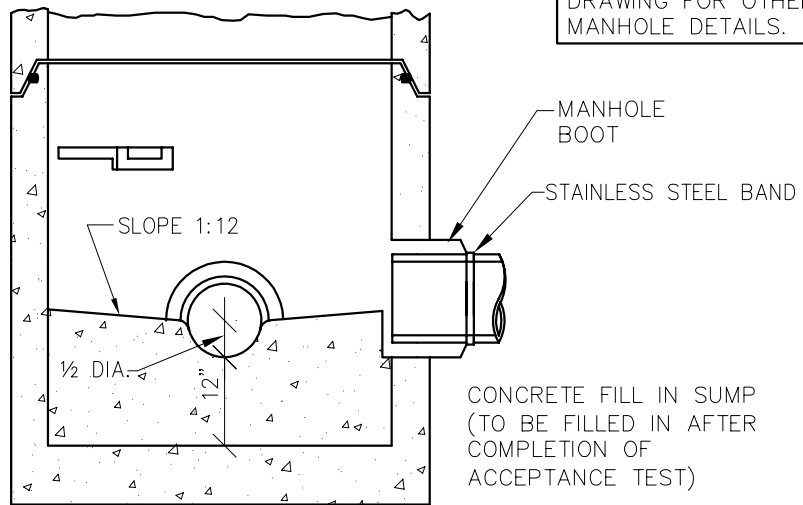


PLAN VIEW



SEE STANDARD MANHOLE DRAWING FOR OTHER MANHOLE DETAILS.

SECTION A-A

C					
B					
A					
	DESCRIPTION	DRW	CKD	APP	DATE
REVISIONS					
DRAWN BY: S.D.A.					
CHECKED BY: S.D.A.					
APPROVED:					

MANHOLE, SUMP WITH BOOT AND STAINLESS STEEL BAND

SCALE: NONE

CITY OF DETROIT
 WATER AND SEWERAGE DEPARTMENT
 ENGINEERING DIVISION
 SHEET 1 OF 1
 DWG No. 02600-13