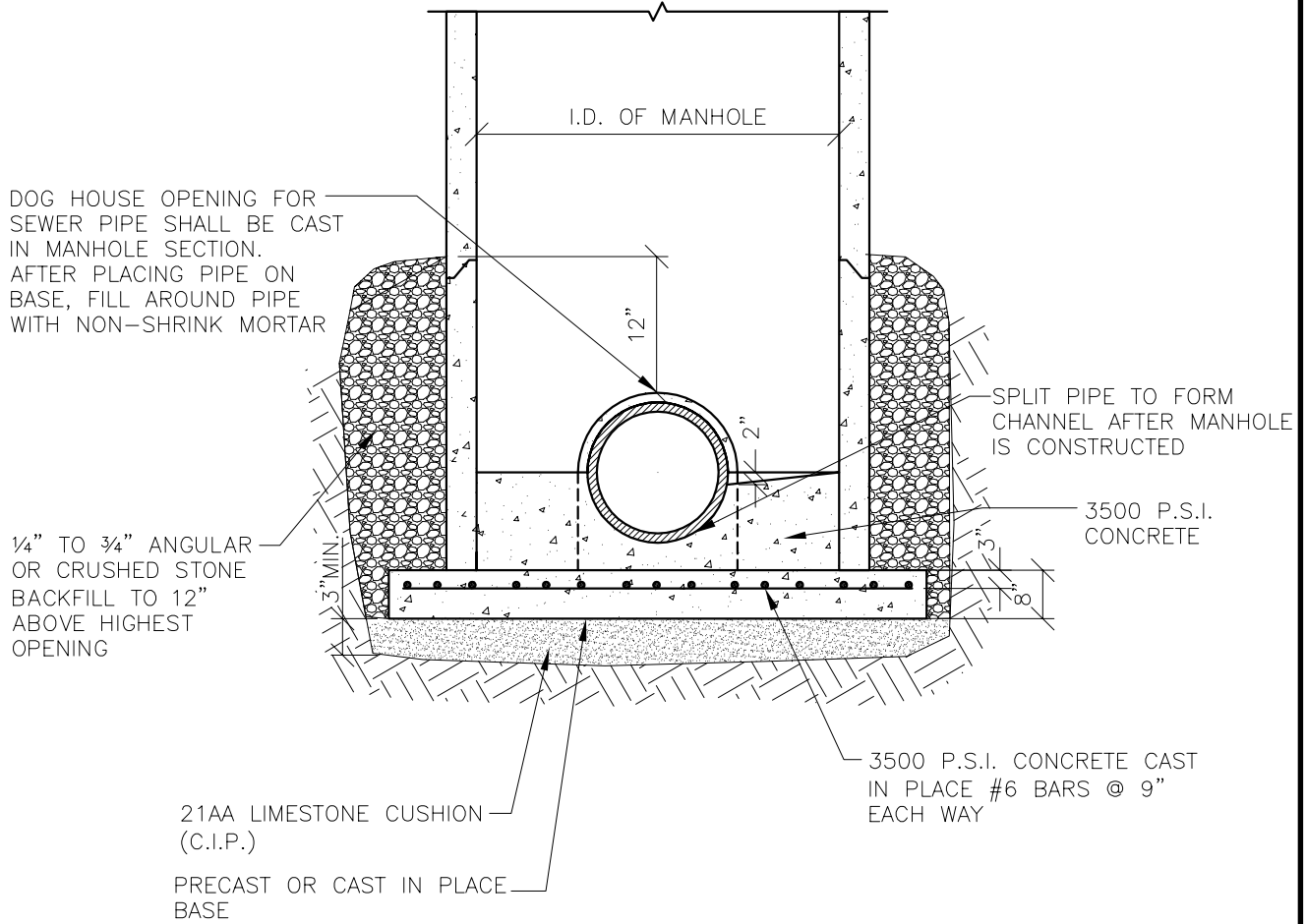


DOG HOUSE OPENING SIZES	
SEWER SIZE	MAX OPENING
8" - 10"	17½"
12" - 15"	20"
18" - 24"	30"

MANHOLE SIZING	
SEWER PIPE SIZE	MANHOLE DIAMETER
24"	4'-0"
33"	5'-0"
42"	6'-0"

FOR OTHER DETAILS OF MANHOLE, SEE STANDARD MANHOLE DETAIL



C					
B					
A					
	DESCRIPTION	DRW	CKD	APP	DATE
REVISIONS					
DRAWN BY: S.D.A.					
CHECKED BY: S.D.A.					
APPROVED:					

## MANHOLE, OVER EXISTING SEWER

SCALE: NONE

CITY OF DETROIT  
WATER AND SEWERAGE  
DEPARTMENT  
ENGINEERING  
DIVISION

SHEET 1 OF 1

DWG No. 02600-14