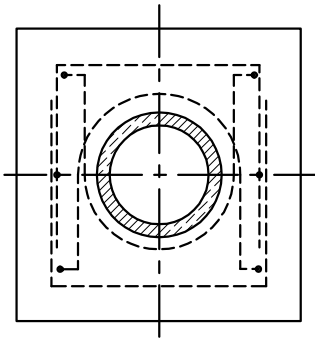


ELEVATION



SECTION

Note : DESIGN ENGINEER SHALL DETERMINE
ACTUAL DIMENSIONS AND REINFORCEMENT.
22-1/2° BEND SHOWN

C					
B					
A					
	DESCRIPTION	DRW	CKD	APP	DATE
REVISIONS					
DRAWN BY: S.D.A.					
CHECKED BY: S.D.A.					
APPROVED:					

**ENCASEMENT,
TYPICAL WATER
DISTRIBUTION
PIPE BEND**

SCALE: NONE

CITY OF DETROIT
WATER AND SEWERAGE
DEPARTMENT
ENGINEERING
DIVISION

SHEET 1 OF 1

DWG No. 02620-08