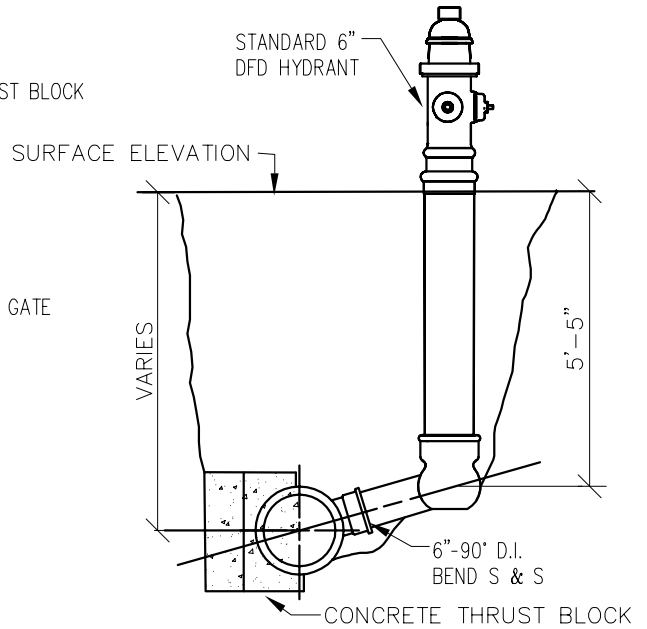


PLAN



SECTION B-B

NOTE

1. HYDRANT TO BE A MINIMUM OF 3 FEET BEHIND CURB.
2. THRUST BLOCKS TO BE SIZED ACCORDING TO THRUST BLOCK STANDARD DETAIL DRAWING NOS. 02620-01, 02, 03, 04, 05 AND 06 AS APPLICABLE.

C					
B					
A					
	DESCRIPTION	DRW	CKD	APP	DATE
REVISIONS					
DRAWN BY: S.D.A.					
CHECKED BY: S.D.A.					
APPROVED:					

**HYDRANT, 6 INCH
INSTALLATION
OFFSET**

SCALE: NONE

CITY OF DETROIT
WATER AND SEWERAGE
DEPARTMENT
ENGINEERING
DIVISION

SHEET 1 OF 1

DWG No. 02620-14