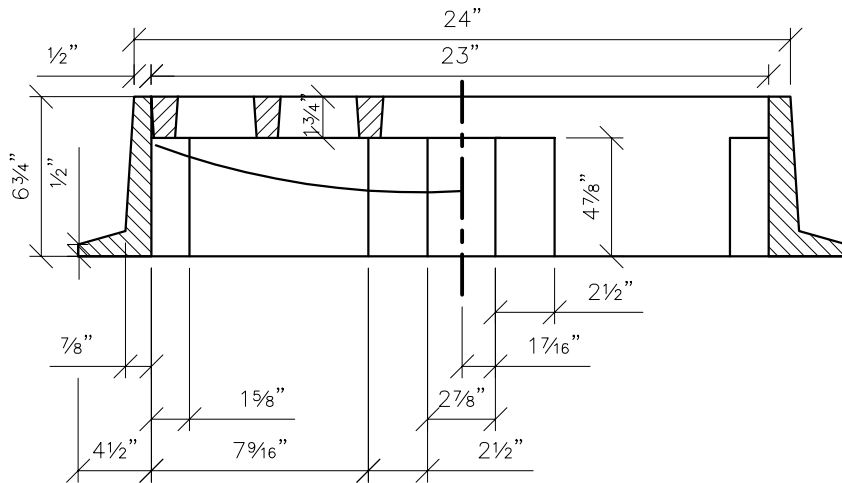
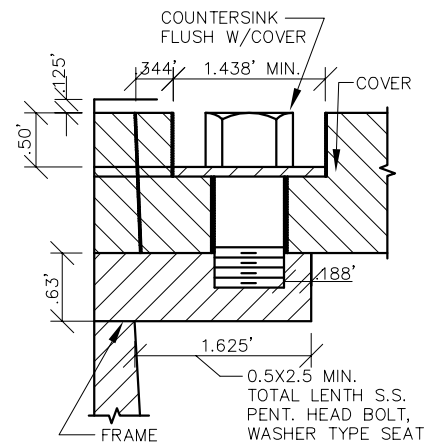


**PLAN VIEW OF FRAME**



**SECTION A-A**



**COVER BOLT DETAIL**

C					
B					
A					
	DESCRIPTION	DRW	CKD	APP	DATE
REVISIONS					
DRAWN BY: S.D.A.					
CHECKED BY: S.D.A.					
APPROVED:					

**GRATE, FLAT  
WITH FRAME  
BOLT DOWN**

SCALE: NONE

CITY OF DETROIT  
WATER AND SEWERAGE  
DEPARTMENT  
ENGINEERING  
DIVISION

SHEET 1 OF 1

DWG No. 02630-02