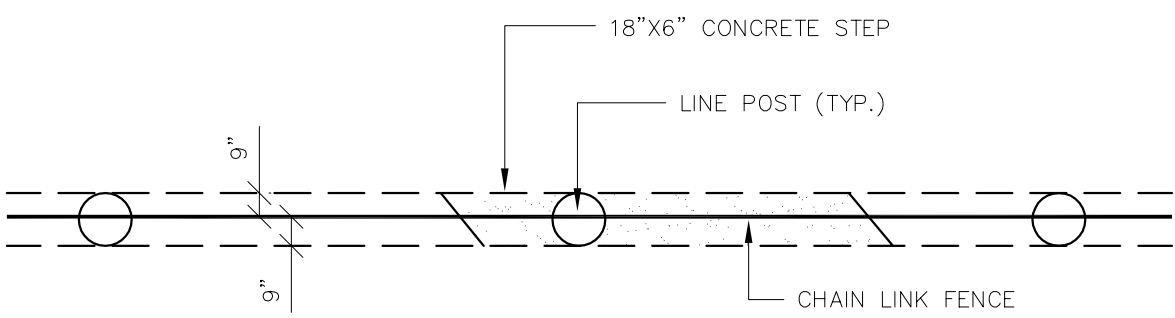


ELEVATION



GRAVEL BED PLAN

C					
B					
A					
	DESCRIPTION	DRW	CKD	APP	DATE
REVISIONS					
DRAWN BY: S.D.A.					
CHECKED BY: S.D.A.					
APPROVED:					

**FENCE,
GATE**

SCALE: NONE

CITY OF DETROIT
**WATER AND SEWERAGE
DEPARTMENT**
ENGINEERING
DIVISION

SHEET 2 OF 2

02820-02
DWG No.