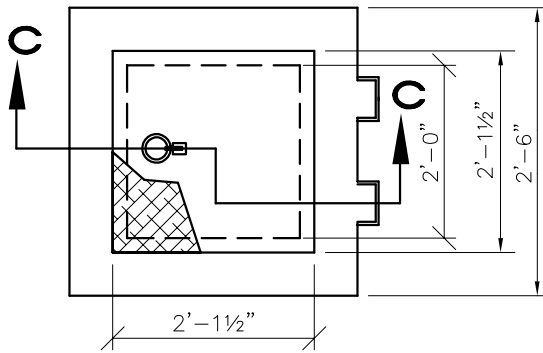
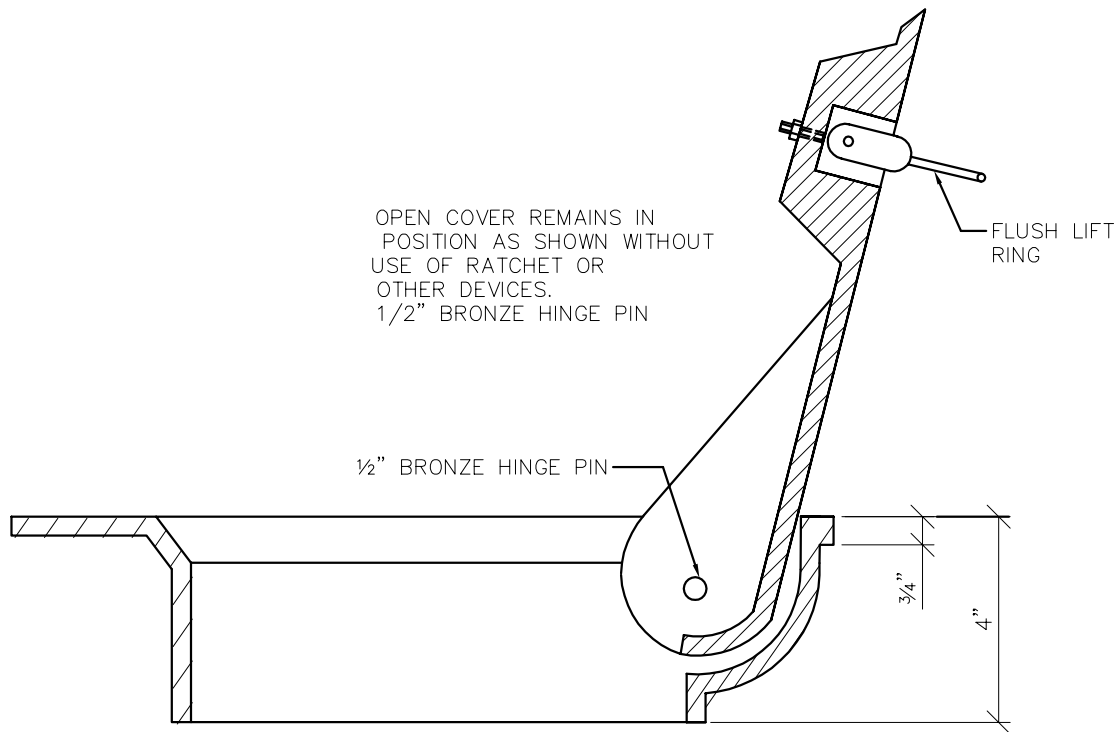


NOTE:
ALL MATERIAL TO BE
CAST IRON OR GALVANIZED
IRON.



PLAN



OPEN COVER REMAINS IN
POSITION AS SHOWN WITHOUT
USE OF RATCHET OR
OTHER DEVICES.
1/2" BRONZE HINGE PIN

1/2" BRONZE HINGE PIN

FLUSH LIFT
RING

3/4"

4"

SECTION C-C

NOTE:
ALL MATERIALS TO BE CAST IRON
EXCEPT AS NOTED.

C					
B					
A					
	DESCRIPTION	DRW	CKD	APP	DATE
REVISIONS					
DRAWN BY: S.D.A.					
CHECKED BY: S.D.A.					
APPROVED:					

**HATCH, ACCESS
COVER**

SCALE: NONE

CITY OF DETROIT
WATER AND SEWERAGE
DEPARTMENT
ENGINEERING
DIVISION

SHEET 1 OF 1

DWG No. 05630-01