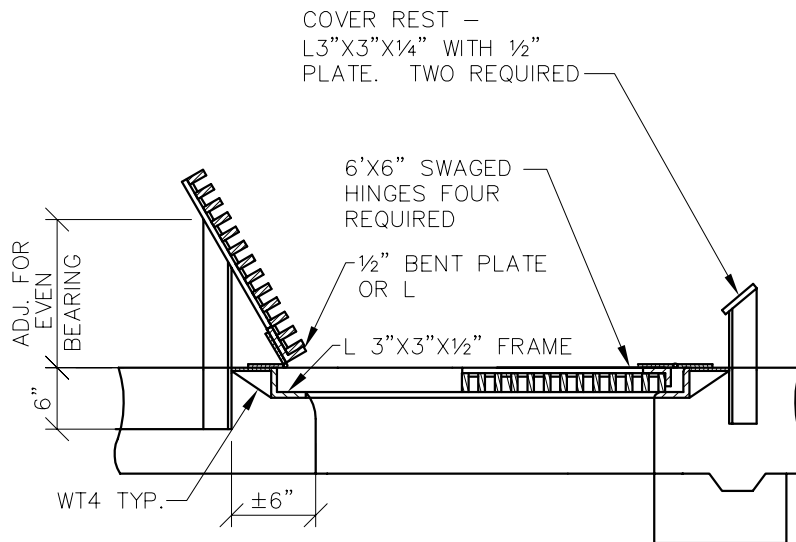


**PLAN**



**SECTION B-B**

C					
B					
A					
	DESCRIPTION	DRW	CKD	APP	DATE
REVISIONS					
DRAWN BY: S.D.A.					
CHECKED BY: S.D.A.					
APPROVED:					

**GRADING HATCH**

CITY OF DETROIT  
 WATER AND SEWERAGE  
 DEPARTMENT  
 ENGINEERING  
 DIVISION

SHEET 1 OF 1

DWG No. 05630-02

SCALE: NONE