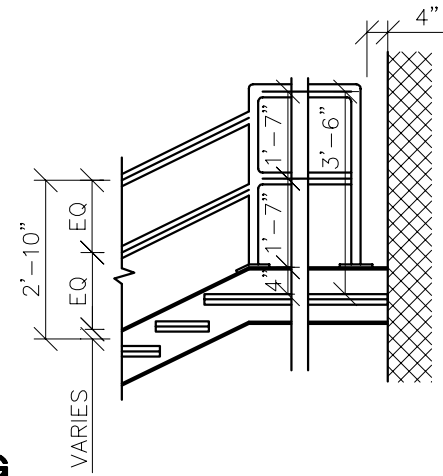
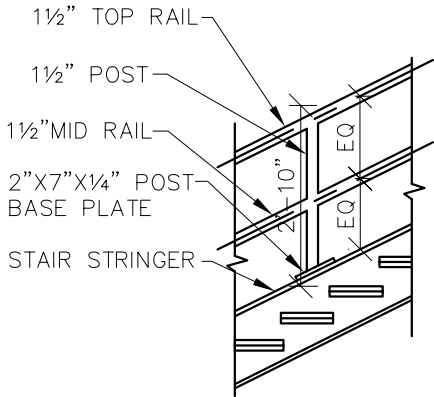


GUARD RAIL

(RESTRICT 21" DIA SPHERE)

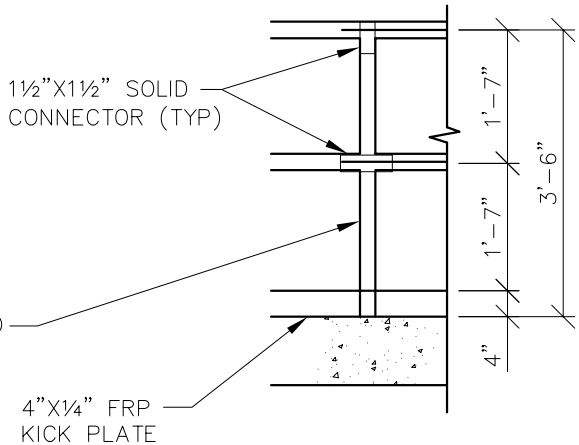
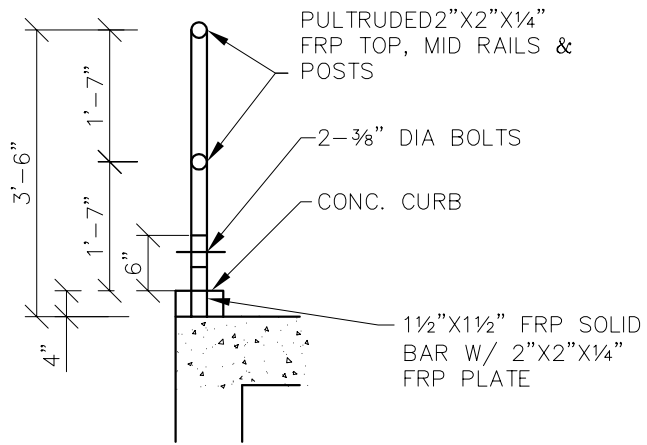
NOTES:

1. TOP RAILING THROUGH POST NOTCHED
2. MID-RAIL NOTCHED, POST, THROUGH
3. SEE SPECIFICATION. THIS SECTION FOR MATERIALS REQUIRED.



STAIRWAY RAILING

(NON-PUBLIC ACCESS-RESTRICT 21" DIA SPHERE)



C					
B					
A					
	DESCRIPTION	DRW	CKD	APP	DATE
REVISIONS					
DRAWN BY: S.D.A.					
CHECKED BY: S.D.A.					
APPROVED:					

**FIBERGLASS
REINFORCED
PLASTIC
GUARDRAIL**

SCALE: NONE

CITY OF DETROIT
WATER AND SEWERAGE
DEPARTMENT
ENGINEERING
DIVISION

SHEET 1 OF 1

DWG No. 06550-01