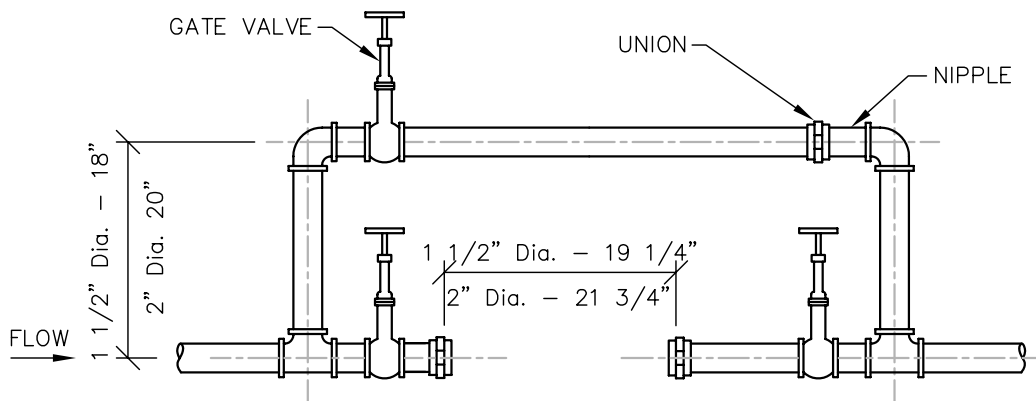


PLAN

TYPICAL METER SETTING WITH BY-PASS HORIZONTAL



SIDE ELEVATION

TYPICAL METER SETTING WITH BY-PASS VERTICAL

- FITTINGS – 125 LBS./SQ. IN. C.I. SCREWED, GALVANIZED.
- UNIONS – 150 LBS./SQ. IN. MALLEABLE IRON, GROUND JOINT, SCREWED, GALVANIZED.
- VALVES – 125 LBS./SQ IN. BRONZE, SCREWED.
- PIPE – A.S.A. SCHEDULE 40 OR COPPER TYPE "K" HARD.
- NIPPLES – 3 1/2" LONG, UNLESS OTHERWISE SHOWN. A.S.A. SCHEDULE 40 OR COPPER.
- ALL PIPE AND NIPPLES SHALL BE MADE OF GENUINE W.I. AND SHALL BE GALVANIZED.
- BY-PASSES – MUST BE THE SAME SIZE AS SERVICE.

METER SHALL BE SET HORIZONTALLY WITH CENTER LINE NOT LESS THAN 14" FROM WALL OR ANY OTHER OBJECT, AND NOT MORE THAN 24" ABOVE FLOOR.
 DOUBLE CHECK VALVES OR OTHER BACK-FLOW PREVENTION DEVICES MEETING THE APPROVAL OF THE DETROIT DEPARTMENT OF HEALTH SHALL BE INSTALLED WITHIN 15' OF METER WHENEVER THERE IS A SECONDARY SUPPLY OF WATER ON THE PREMISES SERVED, OR WHERE PROVISIONS ARE MADE FOR CONNECTION OF A FIRE DEPARTMENT PUMPER TO SUPPLY WATER TO PIPING ON THE PREMISES.

NOTE: SUPERSEDES ALL DRAWINGS ISSUED PREVIOUS TO DATE OF THIS DRAWING.

C					
B					
A					
	DESCRIPTION	DRW	CKD	APP	DATE
REVISIONS					
DRAWN BY: S.D.A.					
CHECKED BY: S.D.A.					
APPROVED:					

**INDUSTRIAL
METER
SETTING**

**1 1/2" AND 2" METERS
IN BASEMENT**

SCALE: NONE

CITY OF DETROIT WATER AND SEWERAGE DEPARTMENT ENGINEERING DIVISION	
SHEET	1 OF 1
DWG No.	13400-08